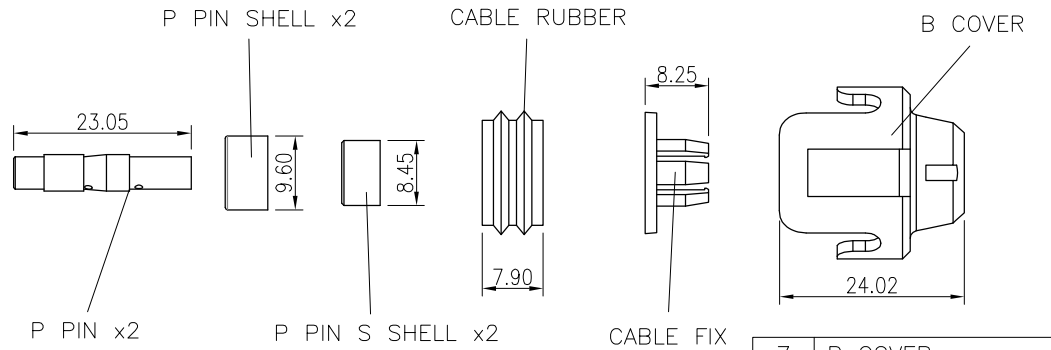
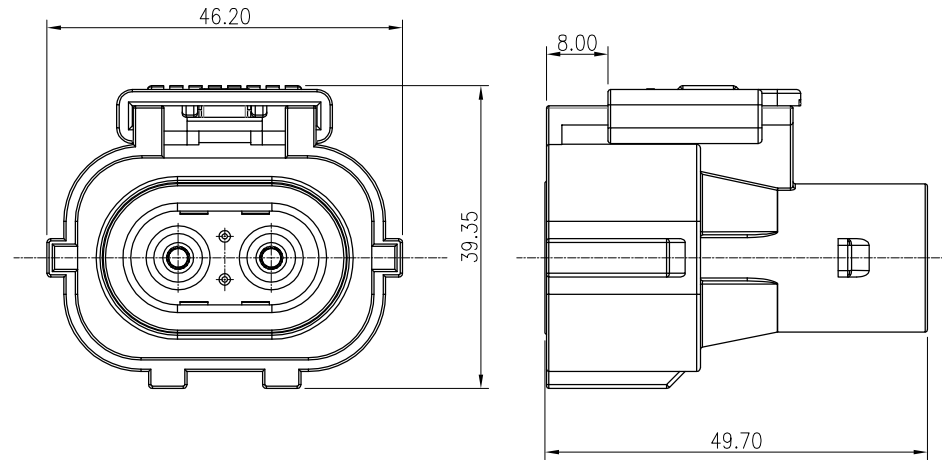
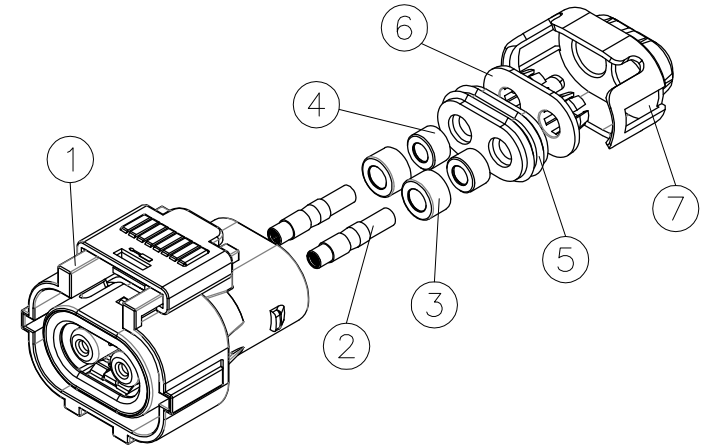


RoHS Compliant

REV	DATE	DESCRIPTION	ECN NO.	NAME
A1	17.11.24	NEW RELEASE		Aaron

4304-SERIES HV CONNECTOR PLUG TYPE

- NOTE:
- MATERIAL:
POWER PIN: COPPER ALLOY
SIGNAL PIN: BRASS
HOUSING/COVER:
HIGH TEMPERATURE PLASTIC, UL94V-0, COLOR: BLACK, ORANGE
 - PLATING:
POWER PIN: SILVER 10 μ "
SHELL/SIGNAL PIN: OVER 50 μ " MIN. Ni UNDERPLATED OVERALL.
 - PACKING: PE BAG



7	B COVER
6	CABLE FIX
5	CABLE RUBBER
4	P PIN S SHELL
3	P PIN SHELL
2	POWER PIN
1	HV PLUG TYPE

GENERAL TOLERANCE X.X = ± 0.20 X.XX = ± 0.15 X.X* = $\pm 3^{\circ}$	WIESON TECHNOLOGIES CO., LTD WIESON		PART NO.: G4304-11000001-00	
	DRAWN BY	Aaron	DRAWING NO.	G4304-11000001-00
	CHECKED BY		DRAWING SIZE	2: 1 A4
	APPROVED BY		UNIT	mm
	SORTING NO.	WST	PAGE	1 OF 1