

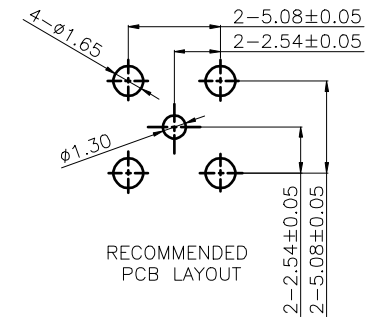
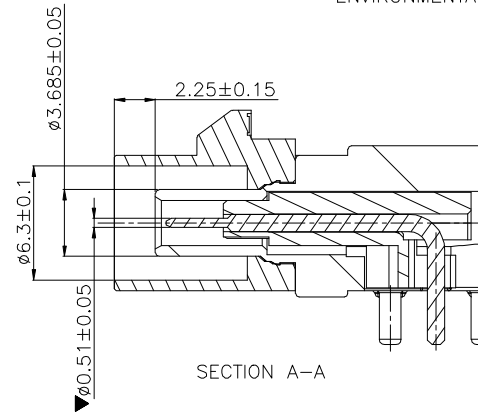
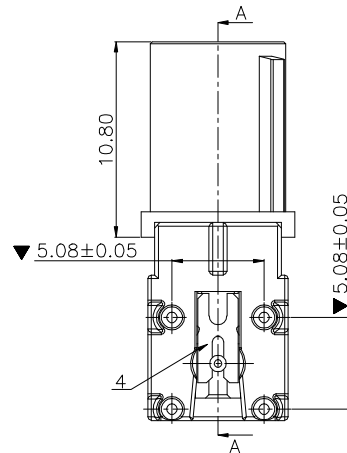
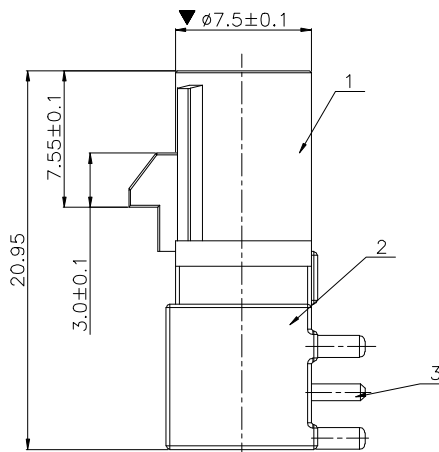
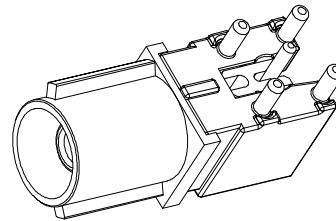
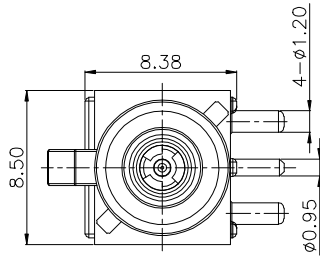
Customer Drawing

REV	DATE	DESCRIPTION	BCN NO.	NAME
A	2018.04.16	NEW RELEASE		Rachel

NOTES:

- ELECTRICAL PERFORMANCE:
 - IMPEDANCE:50Ω Max;
 - CONTACT RESISTANCE:(CENTER PIN)40mΩ Max, (OUTER CONTACT)40mΩ Max;
 - FREQUENCY:DC TO 6GHZ;
 - RETURN LOSS:≤18db,DC TO 1GHZ;
 - INSERTION LOSS:≤0.1X√f(GHz) dB;
 - INSULATION RESISTANCE≥100MΩ;
 - TEST VOLTAGE:800V AC rms;
 - WORKING VOLTAGE:≤60V DC;
 - CURRENT:≤1A DC.
- MECHANICAL PERFORMANCE:
 - DURABILITY:≥25 TIMES;
 - ENGAGE FORCE:≤25N;
 - DISENGAGE FORCE:WITH LOCK≥110N,WITHOUT LOCK≤75N;
 - CENTER PIN RETENTION FORCE:≥10N.
- TEMPERATURE RANGE:-40C- +105C'.
- HAZARDOUS SUBSTANCES SHALL BE IN ACCORDANCE WITH ECT ENVIRONMENTAL PROTECTION MATERIAL CONTROL STANDARDS.

A
B
C
D
E

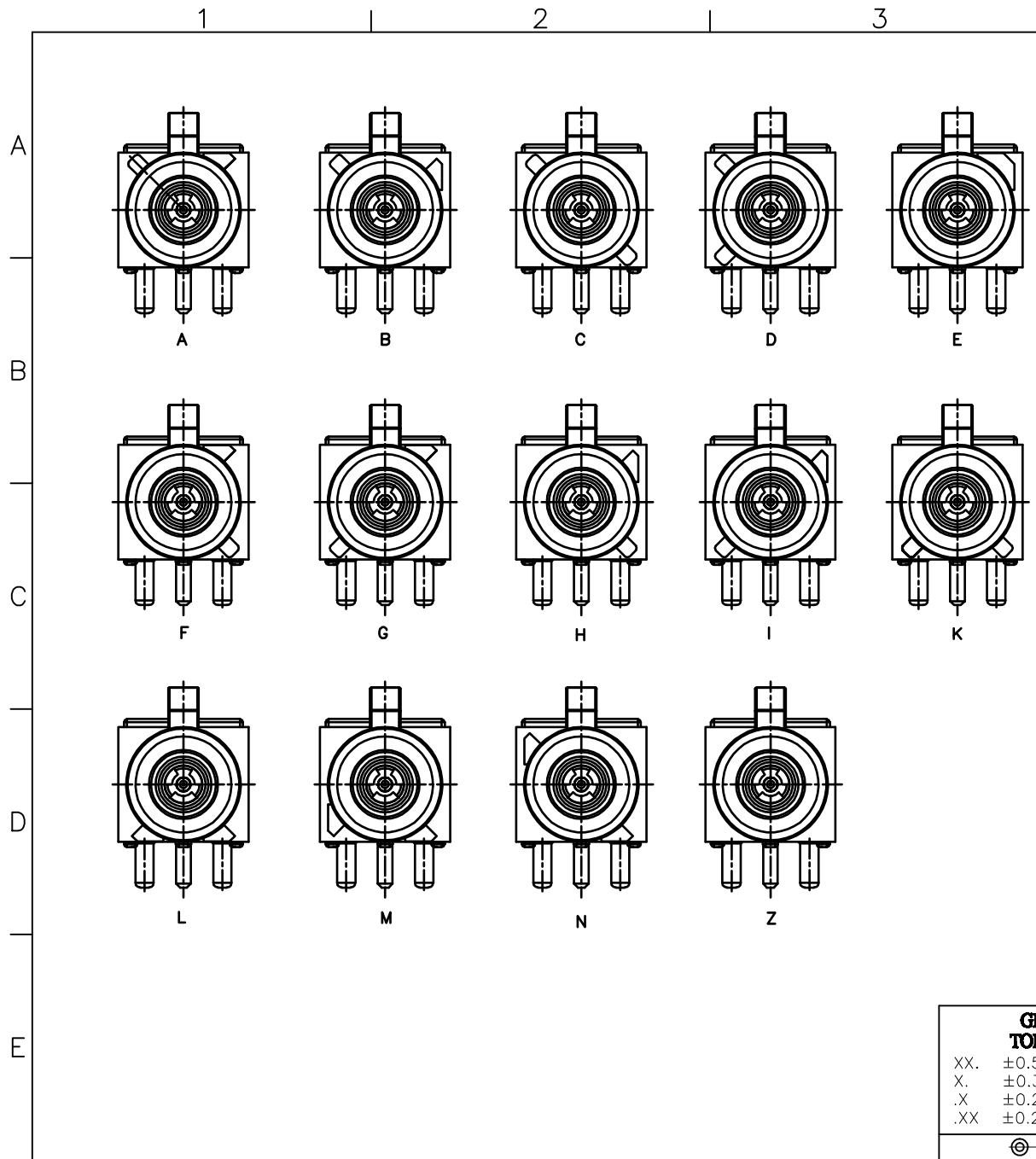


Material:
 1. HOUSING: PA66+30%GF
 2. OUTER CONTACT : ZINC ALLOY
 3. CENTER PIN : COPPER ALLOY
 4. INSULATOR : HIN+30%GF

GENERAL TOLERANCE		WIESON AUTOMOTIVE CO., LTD WIESON	PART NO.:		
XX.	±0.50		DRAWN BY Rachel	A30102KB004X-001X	
X.	±0.30	CHECKED BY		DRAWING NO. A30102KB004X-001X	
.X	±0.25	APPROVED BY		DRAWING SIZE	A4
.XX	±0.20	SORTING NO.		UNIT	mm
			PAGE	10F2	

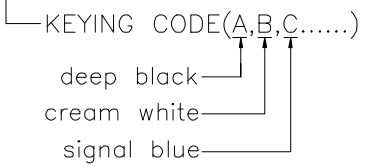
Customer Drawing

REV	DATE	DESCRIPTION	BCN NO.	NAME
A	2018.04.16	NEW RELEASE		rachel



Z	water blue
N	pastel green
M	pastel orange
L	carmine red
K	curry
I	beige
H	heather violet
G	blue gray
F	nut brown
E	Leaf green
D	claret violet
C	signal blue
B	cream white
A	deep black
KEYING CODE	COLOR

A30102KB004X-001X



GENERAL TOLERANCE		WIESON AUTOMOTIVE CO., LTD	PART NO.:		
XX. ±0.50	XX.' ±5'		A30102KB004X-001X		
X. ±0.30	X.' ±3'	DRAWN BY	Rachel	DRAWING NO.	A30102KB004X-001X
.X ±0.25	.X' ±2'	CHECKED BY		DRAWING SIZE	A4
.XX ±0.20		APPROVED BY		UNIT	mm
		SORTING NO.	WSK	PAGE	2OF2